

Project: _____

Location: _____

Fixture Type: _____



AVAILABLE FINISHES



Barcelona BIG

5601-860RC-WH/WD-3

PRODUCT DESCRIPTION

Flush mount LED light, made with nordic design the outer rim, constructed from steel with a matt white finish, is shaped like a geometric ring, the interior ring is painted similar to wood, with an acrylic diffuser, the wooden interior highlights the integrated dimmable LEDs to provide a perfect soft ambient light.

FEATURES

Category: Ceiling indoor-lighting / Flush Mount

Style: contemporary/modern

Lumens: 4800lm

Measurement: diameter 24" / height 4,3"

Finish: Matte white and inner wood

LED Color temperature: 3000 Kelvin (Warm White)

CRI: 90

Light source: Integrated LED, 60 Watts

Input: 120 VAC, 50/60Hz

TRIAC Dimming: 100-10%

Rated Life: 50000 Hours

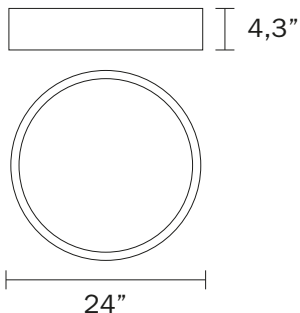
Construction: Steel body with acrylic diffuser

Driver: concealed within the fixture

Manufactured in: China

Safety Rating: ETL Listed

Warranty: 3 Years



5601-860RC-WH/WD-3

MODEL AND SIZE	COLOR TEMP	FINISH	LED WATTS	LED LUMENS
5601-860RC 24"	3000K	WH/WD	60W	4800