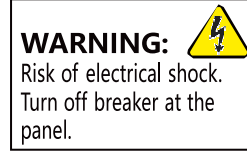


INSTALLATION INSTRUCTION/MANUAL DE INSTRUCCIONES

QUEBEC BIG
5712-838RC-WH/WD-CCT
LED FLUSH MOUNT



WARNING



IMPORTANT: NEVER attempt any work without shutting off the electricity.

Read all instructions before installing.

System is intended for installation by a qualified electrician in accordance with the National Electrical Code and local regulations.

Go to the main fuse box, or circuit breaker. Place the main power switch in the "OFF" position and unscrew the fuse(s) or switch "OFF" the circuit breaker switch(es) that control the power to the fixture or room that you are working on.

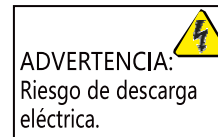
Place the wall switch in the "OFF" position.

CAUTION

All parts must be used as indicated in these instructions. Do not substitute any parts, leave parts out, or use any parts that are worn out or broken. Failure to follow this instruction could invalidate the ETL/CETL listing of this fixture.

CAUTION When handling the fixture, do not apply pressure to the LEDs. Hold the fixture by the base only.

ADVERTENCIA



IMPORTANTE: NUNCA intente hacer trabajos sin desconectar el suministro eléctrico.

Lea y comprenda todas las instrucciones e ilustraciones por completo antes de proceder con el ensamblaje e instalación de esta lámpara.

Sistema está diseñado para ser instalado por un electricista calificado, de acuerdo con el código eléctrico nacional y las normas locales. Diríjase a la caja de fusibles o a la caja del interruptor de circuito principal en su hogar. Coloque el interruptor de alimentación principal en la posición "OFF" (APAGADO).

Coloque el interruptor de la pared en la posición "OFF" (APAGADO).

PRECAUCIÓN

Todas las piezas deben usarse como lo indican estas instrucciones. No reemplace las piezas, no omita piezas durante la instalación ni utilice piezas gastadas o rotas. El incumplimiento de esta indicación podría invalidar la calificación.

ETL/CETL esta lámpara. PRECAUCIÓN Al manipular el aparato, no aplique presión a los LED, mantenga el aparato en la base sólo.

HARDWARE

A1

Wire Connector



Qty: 3 pcs + 1 extra
7EAC112201

B1



Junction Box Screw
Qty: 2 pcs + 1 extra
7MPF0415C2
#5/32x30

C1



Plastic Anchor Qty:
4 pcs + 1 extra
7TDD082401

D1



Wood Screw
Qty: 4 pcs + 1 extra
7MPF2204J2
Φ4x40
Nickel plating



INSTALLATION INSTRUCTION

DE INSTRUCCIONES

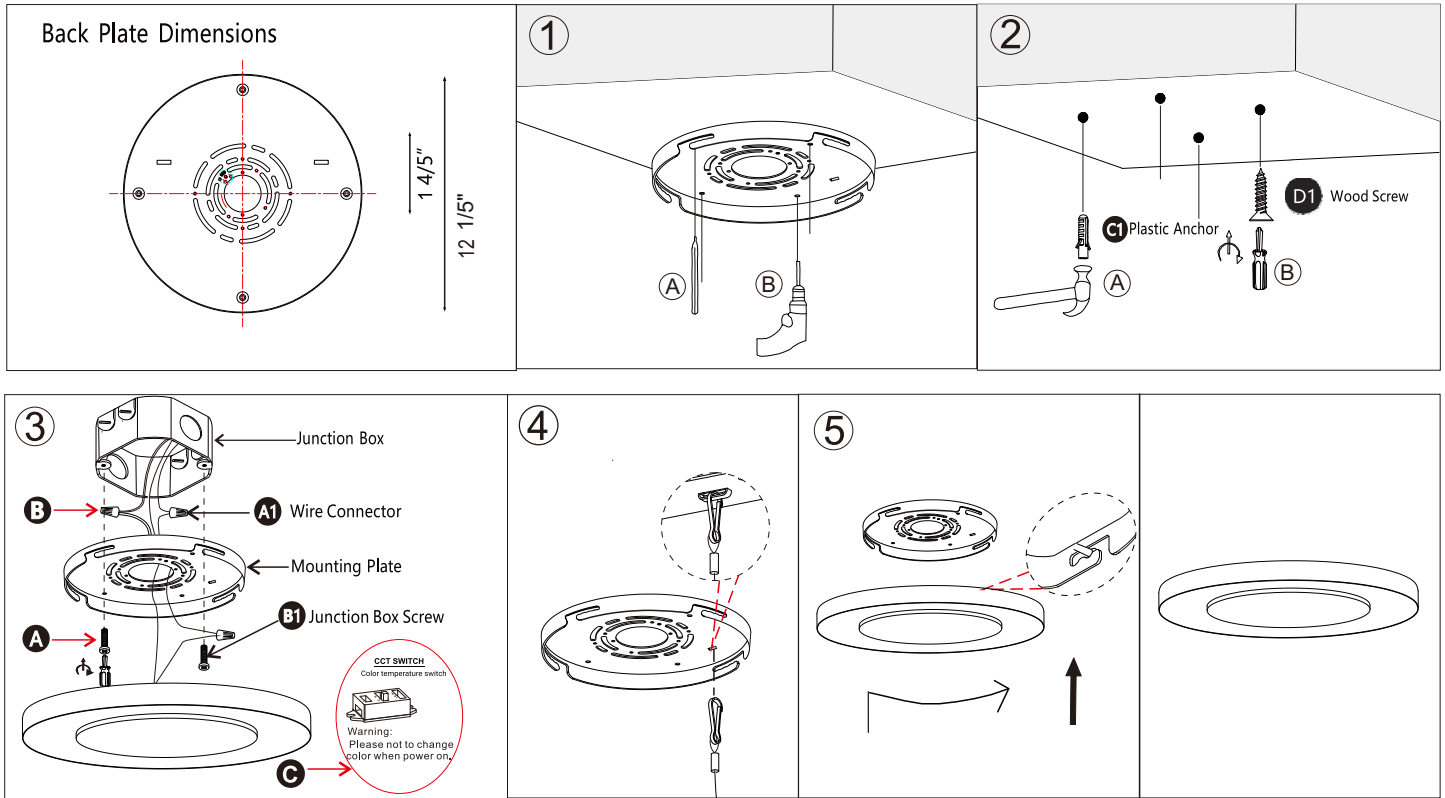
QUEBEC BIG

5712-838RC-WH/WD-CCT

LED FLUSH MOUNT



FIG 1



PREPARATION

1. Shut off the power at the circuit breaker and remove existing fixture, including the crossbar.
2. Carefully unpack your new fixture and lay out all the parts on a clear area. Be careful not to lose any small parts necessary for installation.




CONNECTING THE WIRES (Fig. 2)

3. Remove the mounting screw (F1) from the fixture, take down the lamp shade.
4. Remove the nuts (E1) from the PCB board; take out the mounting plate.
5. Drill holes in the wall aligned with the key holes in the fixture base, insert the plastic anchor (C1).
6. Secure the mounting back plate to the junction box using junction box screws (B1). The side of the mounting back plate marked "GND" must face out.
7. Connect the Driver's input wires to junction box wires as shown in Fig. 2, making sure that all wire connectors (A1) are secured. If your outlet box has a green or bare copper ground wire, connect the fixture's ground wire to it. Otherwise, connect the fixture's ground wire directly to the back plate using the green screw provided. After wires are connected, tuck them carefully inside the junction box.

MOUNTING THE FIXTURE (Fig. 1)

8. Secure the fixture base to the mounting plate using nuts (E1), fasten it to the wall using wood screw (D1).
9. Secure the lamp shade onto the fixture base with mounting screw (F1).

Fig. 2 Wiring

	Fixture Wires Black or Smooth	House Wires Black (Hot)
	Fixture Wires White or Ribbed	House Wires White (Neutral)
	Fixture Wires Bare wire (Ground)	House Wires Green or Bare Copper (Ground)

WARRANTY

WARRANTY AND OBLIGATION

PURE LIGHTING LLC warrants to the first non-dealer purchaser of any of its products that they are to be free from defects in material and workmanship for a period of 3 (three) years from the date of purchase for all indoor products.

Pure Lighting's Limited Warranty does not apply if:

- The original bill of sale, delivery date, or product number cannot be verified
- The parts claimed to be defective are not returned for inspection if so requested by Pure lighting.
- The product is not in possession of the original end use purchaser
- the product was used in Commercial Applications(*) or 24 hour use, unless otherwise granted by Pure lighting. - Used for purposes for which they are not designed or intended - damaged by abuse, misuse, accident, modifications, alterations, neglect or mishandling - improperly installed, stored, maintained, or operated used in violation of written instructions by Pure lighting .
- Additionally this warranty does not cover scratches, abrasions, or deterioration due to the use of paints, solvents, chemicals or abrasive cleaning techniques.(**)

The warranties apply only to the original consumer purchaser and only to products used in normal use and service. Normal use means residential non-commercial use. (*) For commercial applications, LED components are warranted for 2 (Two) years.

(**)Finish, Care & Cleaning: Initial care for finishes requires only periodic cleaning with a soft cloth, dampened with water. A mild non-abrasive soap may be used along with a soft cloth and water to



remove dirt. Particular attention should be paid to avoid abrasive materials and strong cleaning agents as they will quickly destroy protective coatings and subject to rapid oxidation and discoloration.

If a product is found defective Pure Lighting reserves the right to correct the problem.

The following costs, expenses and damages are not covered by the provisions of this limited warranty:

- Labor costs including, but not limited to, such costs as the removal and reinstallation of product
- Shipping and freight expenses required to return product to Pure lighting.

This warranty is limited to the repair or replacement of the product only and Pure is not responsible for any labor incurred. Use of incorrect installation methods will void the warranty.

If a product is defective all efforts will be made to correct the problem at the first non-dealer purchaser's location.

Pure's lighting obligation is expressly limited to repair or replacement, without charge, at Pure's chosen location after prior written return authorization has been granted. Pure's lighting obligation under this warranty shall not extend beyond the distributor's initial purchase price of the product and accordingly any consequential damages or labor costs arising out of a defect are expressly excluded.

If you experience a problem with your Pure lighting product, please contact your place of purchase to submit your warranty request. Pure's lighting product warranty applies only to purchases from Pure's lighting authorized distributors. All warranty claims must be filed through the distributor from which the item or items were originally purchased.

DISCLAIMER OF IMPLIED WARRANTY

IMPLIED WARRANTIES INCLUDING THAT OF MERCHANTABILITY AND FITNESS FOR A PARTICULAR PURPOSE ARE EXPRESSLY LIMITED IN DURATION TO THE DURATION OF THIS WARRANTY. Pure Lighting AND/OR SELLER DISCLAIMS ANY LIABILITY FOR SPECIAL, INCIDENTAL OR CONSEQUENTIAL DAMAGES.